

Parts List

Each switch provides an accessory kit that contains parts that are required to install the switch. This appendix lists the installation parts contained in the switch accessory kit.

B.1 Two-Post Rack Mount Parts

Table B-1 Two-Post Rack Mount Parts

Quantity	Description
2	Center-mount brackets.
20	M4x8 panhead Phillips screws.

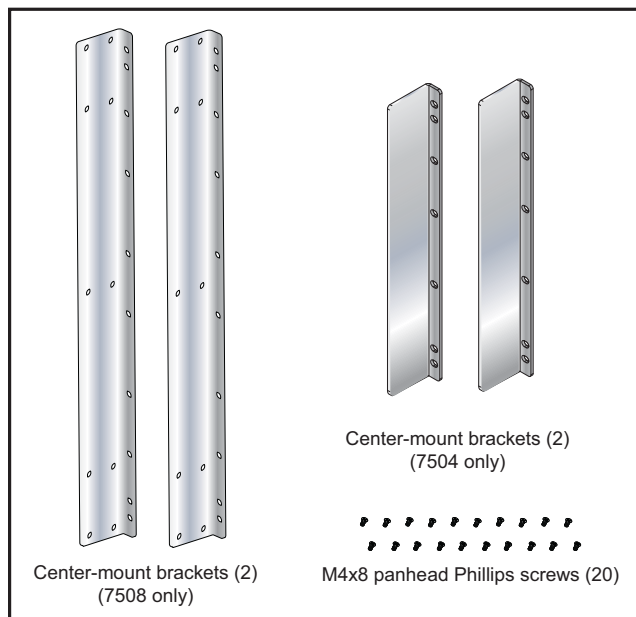


Figure B-1: Two-Post Rack Mount Parts

B.2 Four-Post Rack Mount Parts

Table B-2 Four-Post Rack Mount Parts

Quantity	Description
2	Front brackets.
4	Shelf supports.
2	Back brackets.
1	Left shelf.
1	Right shelf.
10	M6X16 panhead Phillips screws.
4	M6 Cage Hex Nuts.
2	M6 Cage Nut Square Hole Racks.

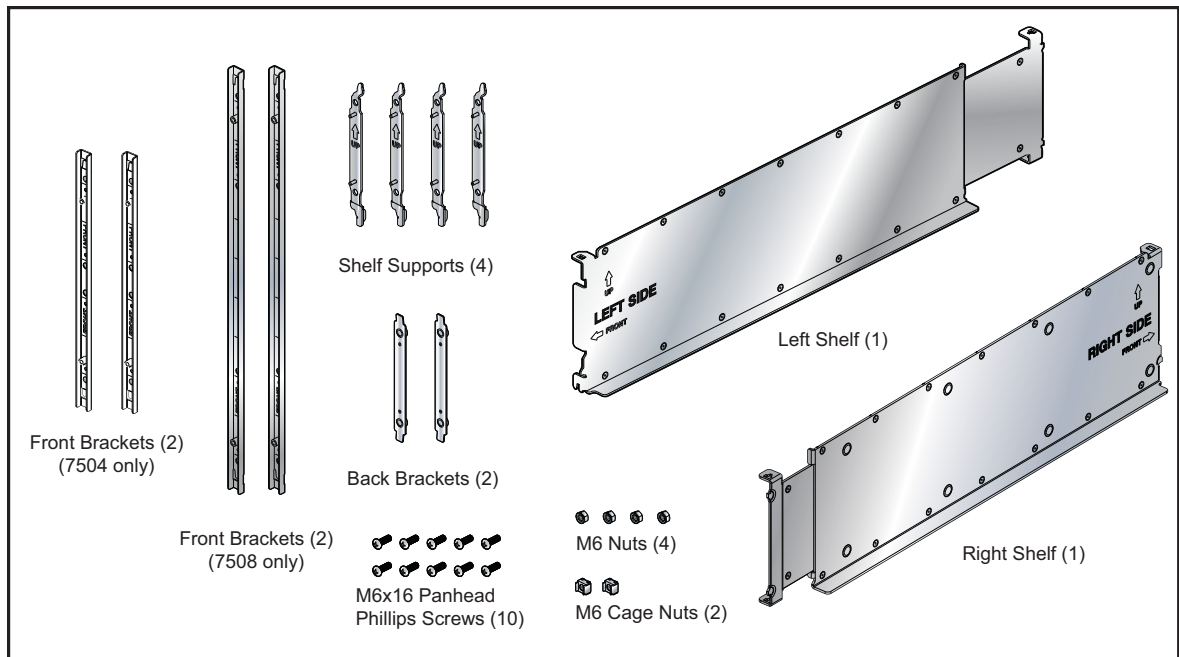


Figure B-2: Four-Post Rack Mount Parts

B.3 Parts Used in All Rack Mount Configurations

B.3.1 Cables

Table B-3 Cables Provided in Accessory Kit

Quantity	Description
4	power cables: 14 AWG, C19-C20, 2 meters.
2	RJ-45 Patch Panel Cables, 2 meters.
2	RJ-45 to DB9 Adapter Cable, 2 meters.

Warning All provided power cables are for use only with Arista products.

警告

すべての電源コードは提供する製品で使用するためだけを目的としている。

電源コードの他の製品での使用の禁止

Aristaが提供するすべての電源コードは、Aristaの製品でのみ使用してください。

B.3.2 Equipment

Table B-4 Installation Equipment Provided in Accessory Kit

Quantity	Description
1	Adjustable Wrench.

B.3.3 Rack Mount Alternate Parts

These parts are supplied for threaded racks that do not use M6 screws.

Table B-5 Threaded Rack Post Parts

Quantity	Description
5	M5 hex nuts.
11	M5X16 panhead Phillips screws.
5	12-24 hex nuts.
11	12-24X5/8 panhead Phillips screws.
5	10-32 hex nuts.
11	10-32X5/8 panhead Phillips screws.
3	M6 cage nuts.

